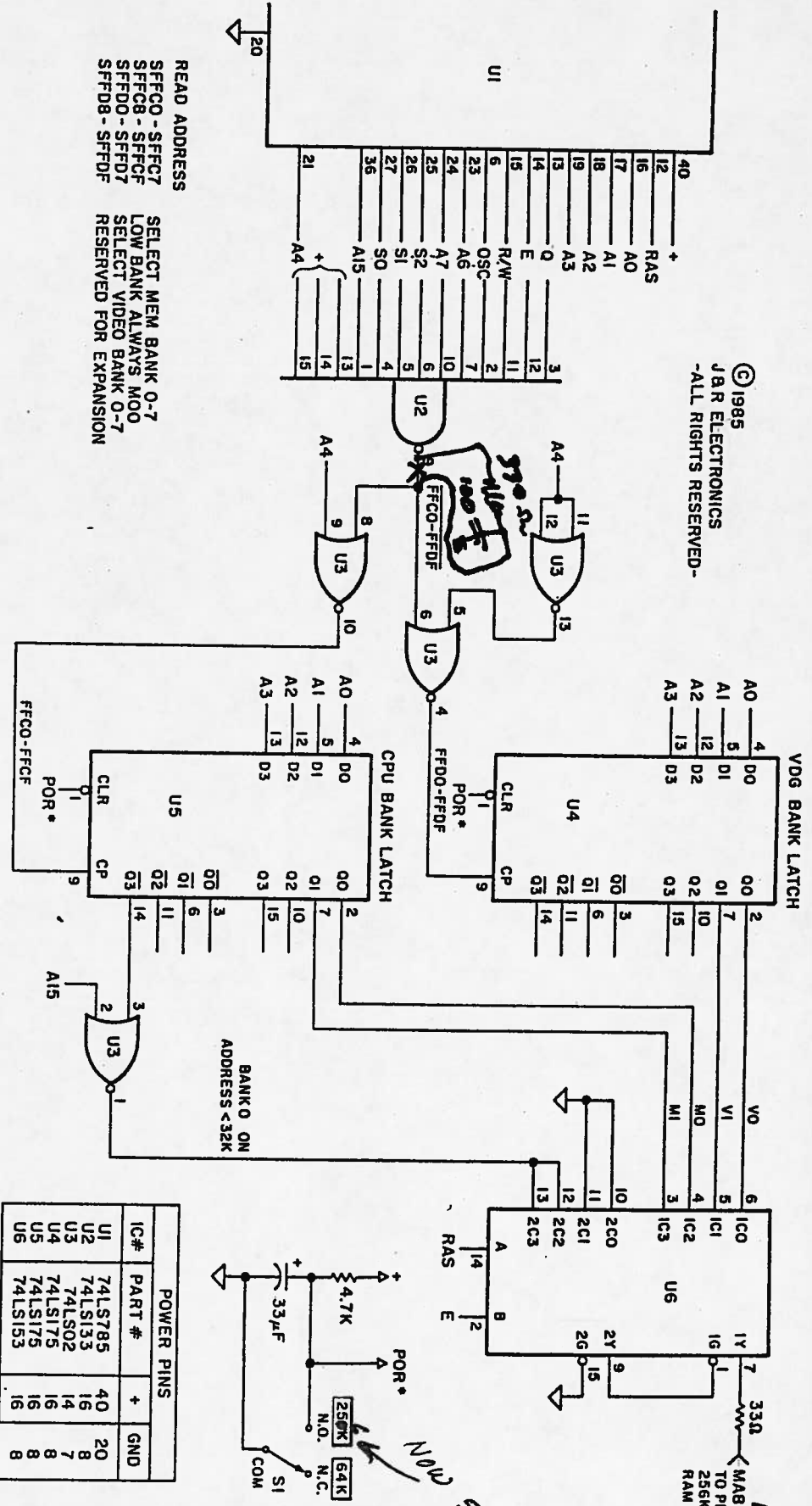


© 1985  
 J&R ELECTRONICS  
 -ALL RIGHTS RESERVED-

READ ADDRESS  
 SFFC0 - SFEC7  
 SFFC8 - SFECF  
 SFFD0 - SFFD7  
 SFFD8 - SFFDF

SELECT MEM BANK 0-7  
 LOW BANK ALWAYS MOO  
 SELECT VIDEO BANK 0-7  
 RESERVED FOR EXPANSION

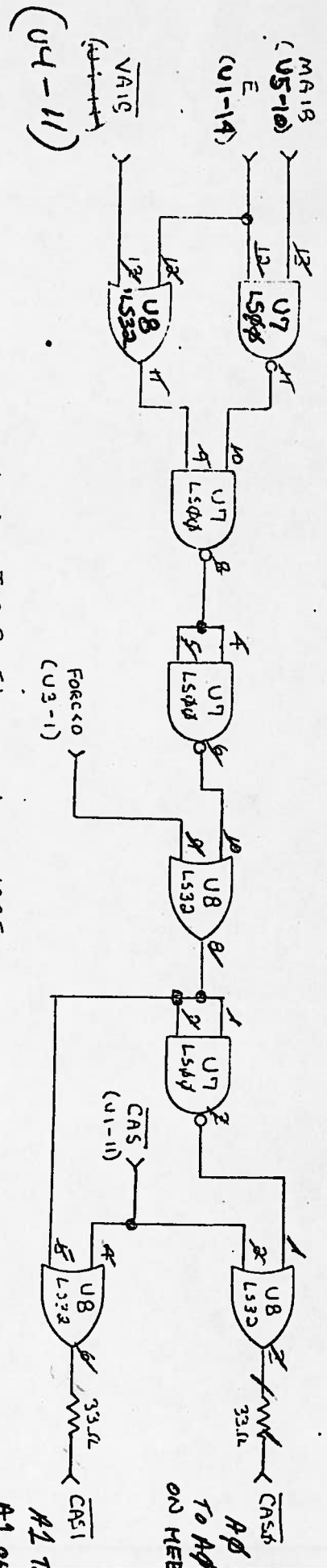


POWER PINS			
IC#	PART #	+	GND
U1	74LS785	40	20
U2	74LS133	16	8
U3	74LS02	14	7
U4	74LS175	16	8
U5	74LS175	16	8
U6	74LS153	16	8

A8 To  
 MAB  
 TO PIN 1 OF  
 256K  
 RAM CHIPS

Now 512K

2/4/86

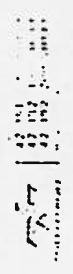


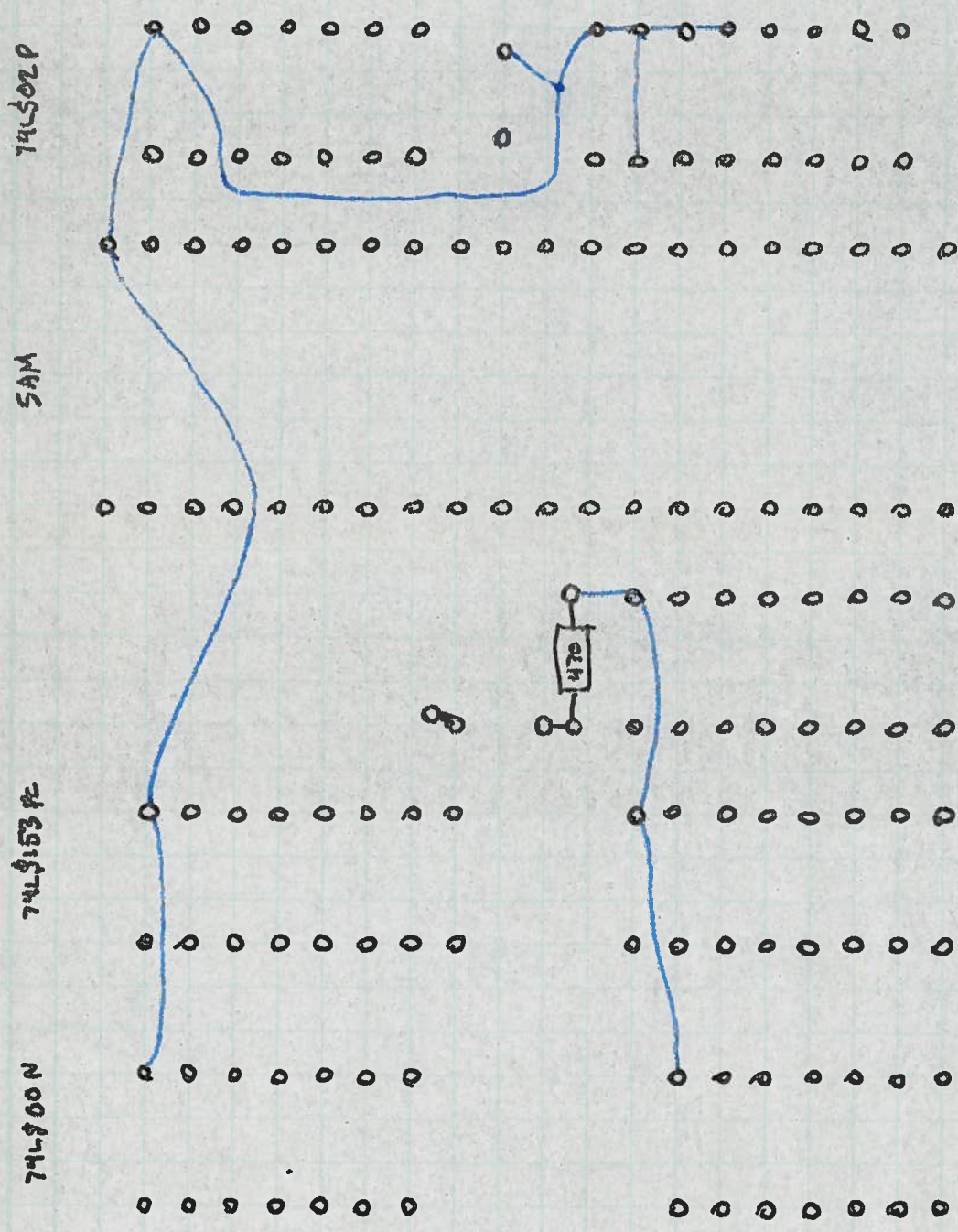
< C > J & R Electronics 1985  
 All Rights Reserved

BANKER I Stack Mod

IC #	Part #	Vcc	Out
U7	74153	14	7
U8	74152	14	7

JW Jackson 10/15/85





COMP SIDE

